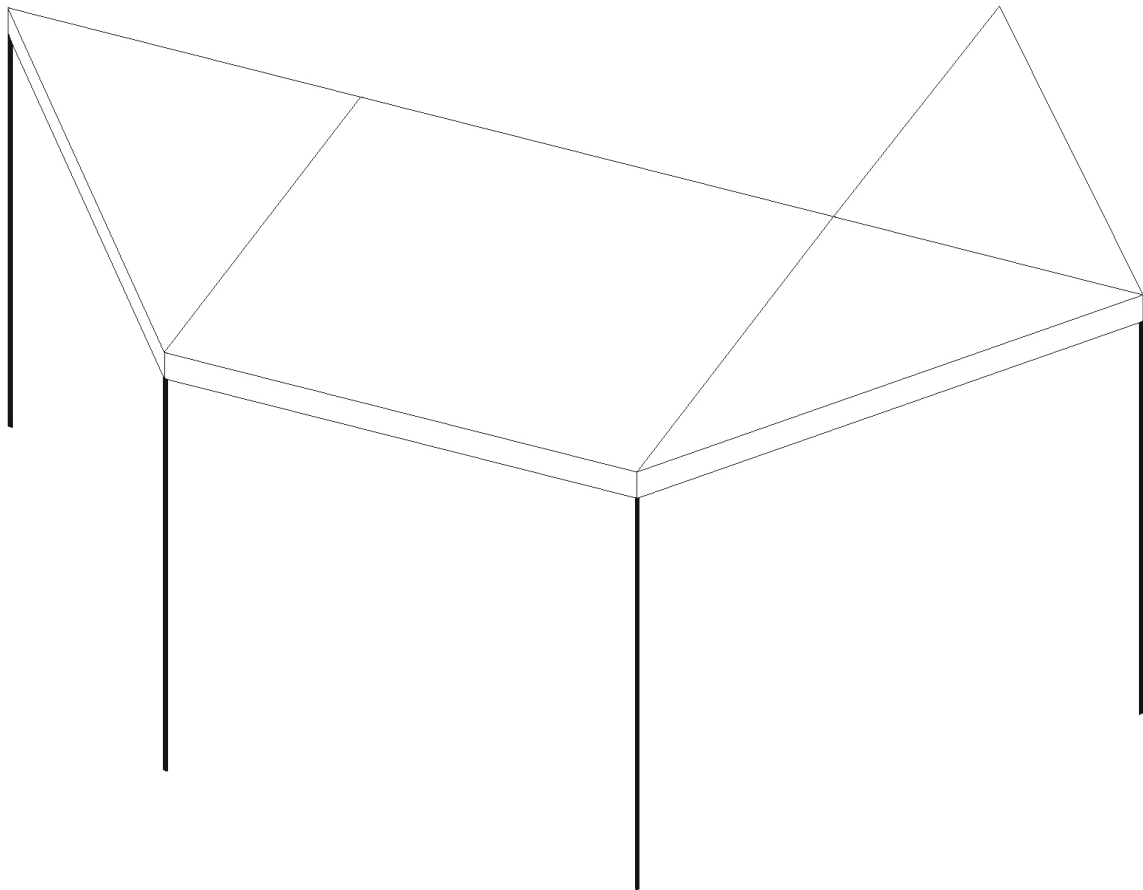


# PEREGRINE 270°

## SET-UP AND CARE INSTRUCTIONS



Congratulations on the purchase of your new Peregrine 270° awning from the team at 23 Zero. Please read instruction carefully prior to first use. If you require further assistance please contact 23 Zero ph: (855) 875-7755 email: [info@23zero.com](mailto:info@23zero.com).

**GETTING TO KNOW YOUR AWNING**

We recommend you check all parts are included prior to first use.

- 1 x Peregrine 270° Awning
- 3 x Mounting Brackets
- 6 x 'U' Bolts with nuts and washers

- 6 x 25mm M8 mounting bolts and nuts
- Twist-lock leg poles
- Pegs and guy ropes in bag

- 2 x Cam Buckle Tension Straps
- Twist Lock legs in carry bag

**MOUNTING BRACKET TO ROOF RACK**

**1** many roof rack designs. However with the increasing number on new designs / models available from reputable brands some additional hardware may need to be obtained for correct secure fitment.

**NOTE:** We highly recommend discussing specific load capacities and mounting options with a specialist roof rack retailer or installer.

**ATTACHING BRACKETS TO AWNING**




23 Zero recommends using a qualified or experienced fitter to mount the Peregrine 270° to your vehicle. Fasteners and all fixing connections including hinges should be checked and inspected regularly to ensure the awning is fixed securely to your vehicle roof rack at all times.

**!** PROLONGED TRAVELING ON UNEVEN CORRUGATED ROADS WILL REQUIRE MORE FREQUENT INSPECTIONS.



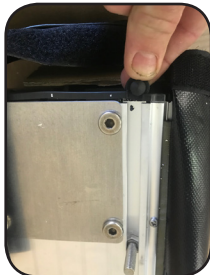
**NOTE:** 23 Zero take no responsibility or liability for fitment of the Peregrine 270° awning to your specific vehicle or trailer.

**2**

1. Place the awning on protected clean surface with rear facing up as in Fig 1.
2. At one end of the awning, undo the Velcro tabs on the cover and reveal the 2 channel grooves as in Fig 2.

3. Find the stopper bung in the channels as in Fig 3.
4. Remove the stopper bung on each as in Fig 4.
5. Insert the M8 mounting bolts into the tracks as in Fig 5.

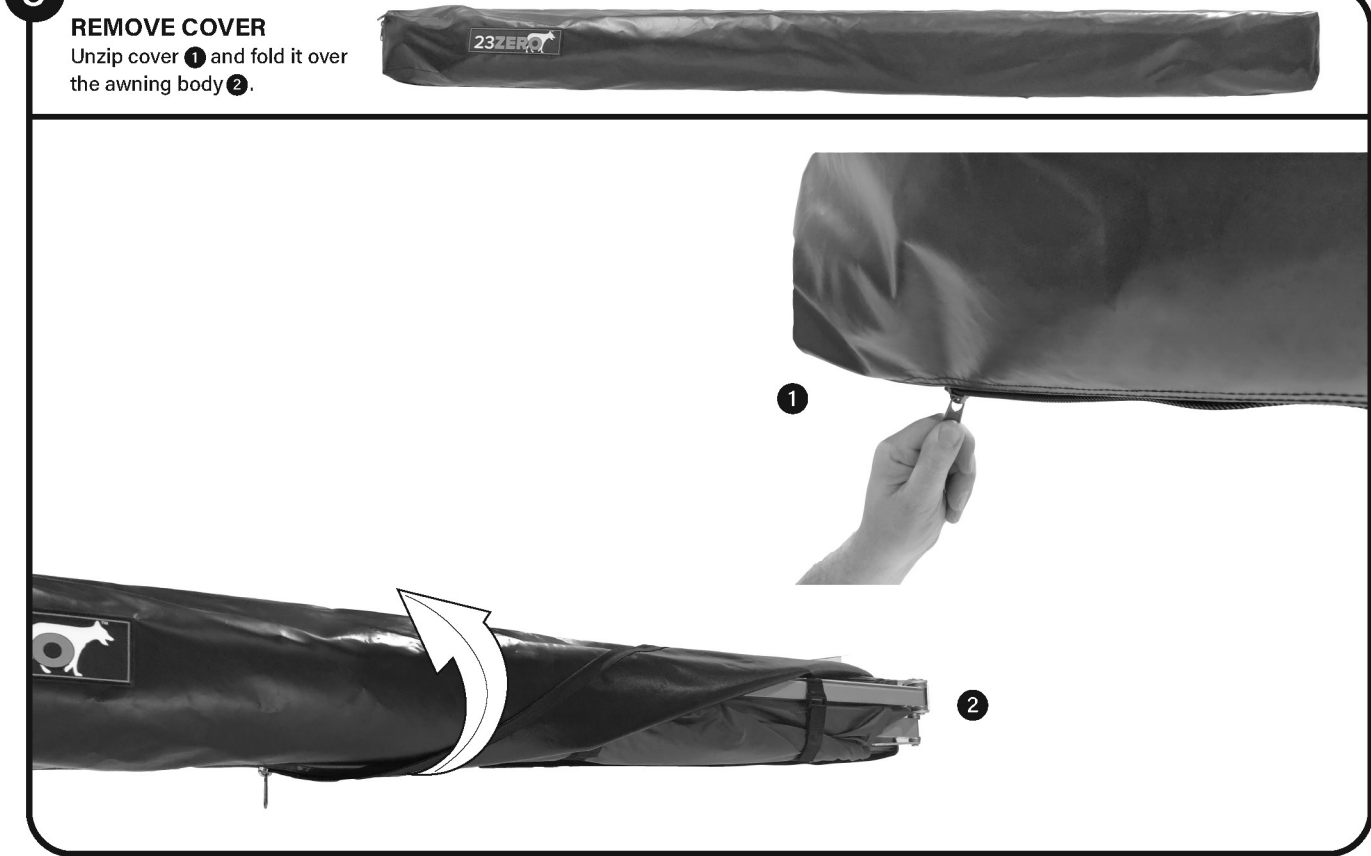




6. Replace the stopper bungs as in Fig 6.
7. Place bracket hole in line with bolts and fasten using M8 nut and washer.
8. Repeat for all 3 brackets.

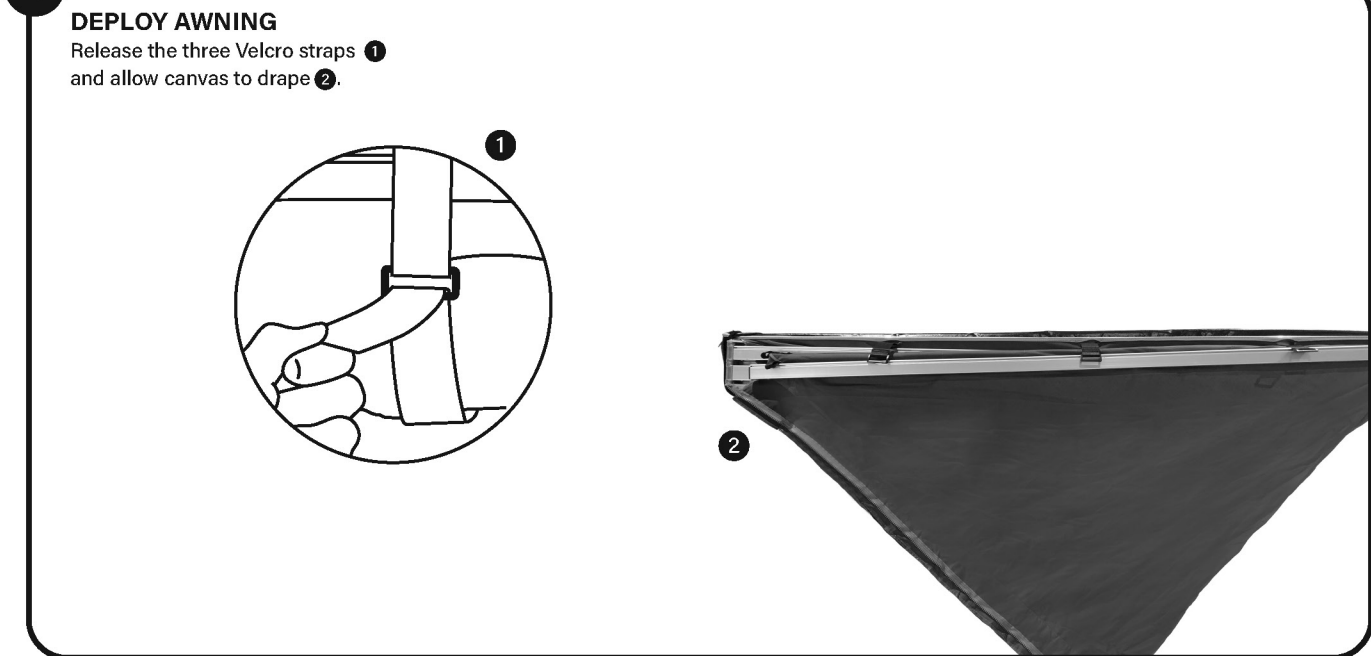
**PEREGRINE 270° SET-UP**

NOTE: Awning will free stand for set-up and pack down..

**3 REMOVE COVER**  
Unzip cover **1** and fold it over the awning body **2**.



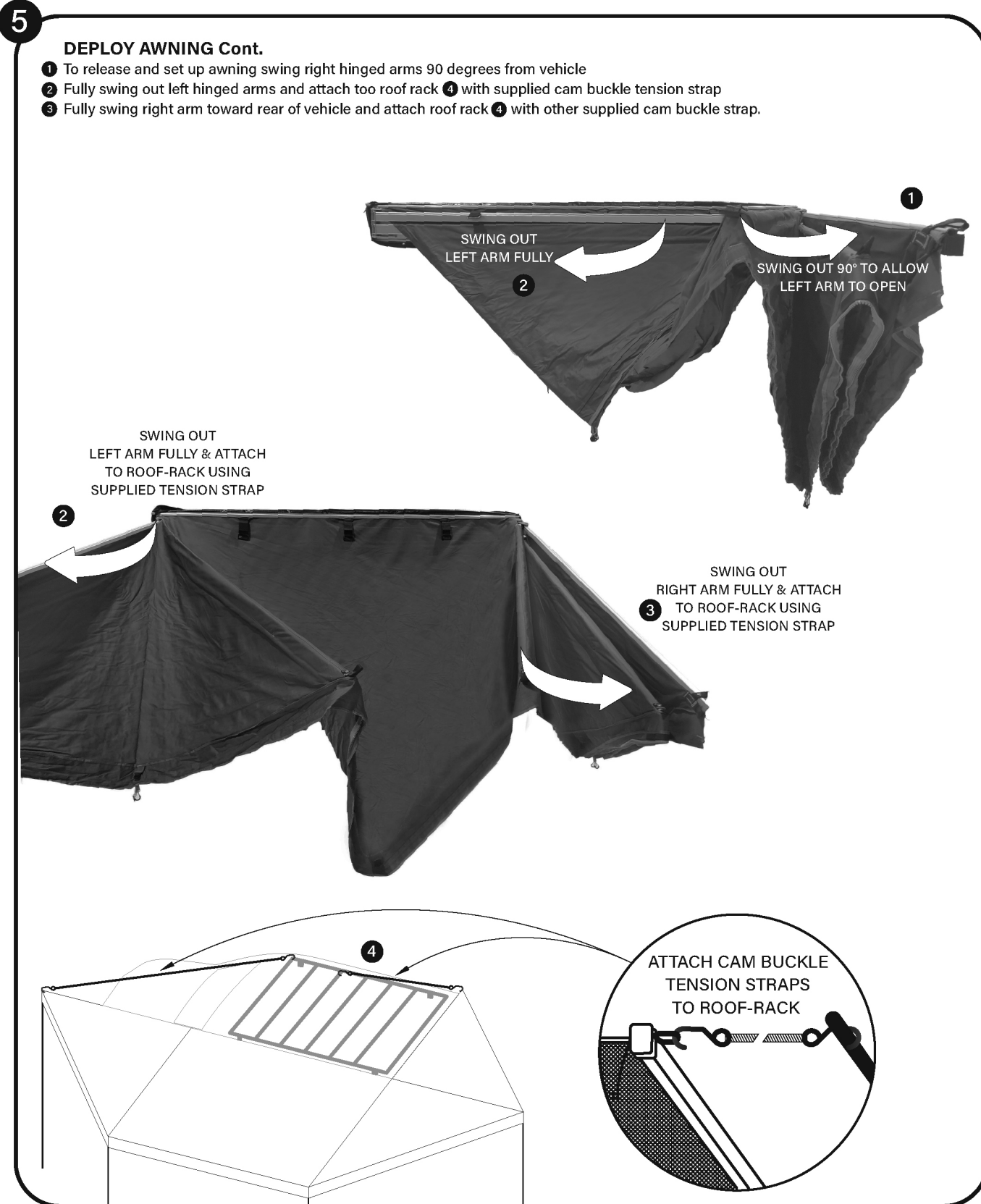
**4 DEPLOY AWNING**  
Release the three Velcro straps **1** and allow canvas to drape **2**.



**SET-UP**

**5** **DEPLOY AWNING Cont.**

- To release and set up awning swing right hinged arms 90 degrees from vehicle
- Fully swing out left hinged arms and attach too roof rack **4** with supplied cam buckle tension strap
- Fully swing right arm toward rear of vehicle and attach roof rack **4** with other supplied cam buckle strap.



SWING OUT LEFT ARM FULLY

SWING OUT 90° TO ALLOW LEFT ARM TO OPEN

SWING OUT LEFT ARM FULLY & ATTACH TO ROOF-RACK USING SUPPLIED TENSION STRAP

SWING OUT RIGHT ARM FULLY & ATTACH TO ROOF-RACK USING SUPPLIED TENSION STRAP

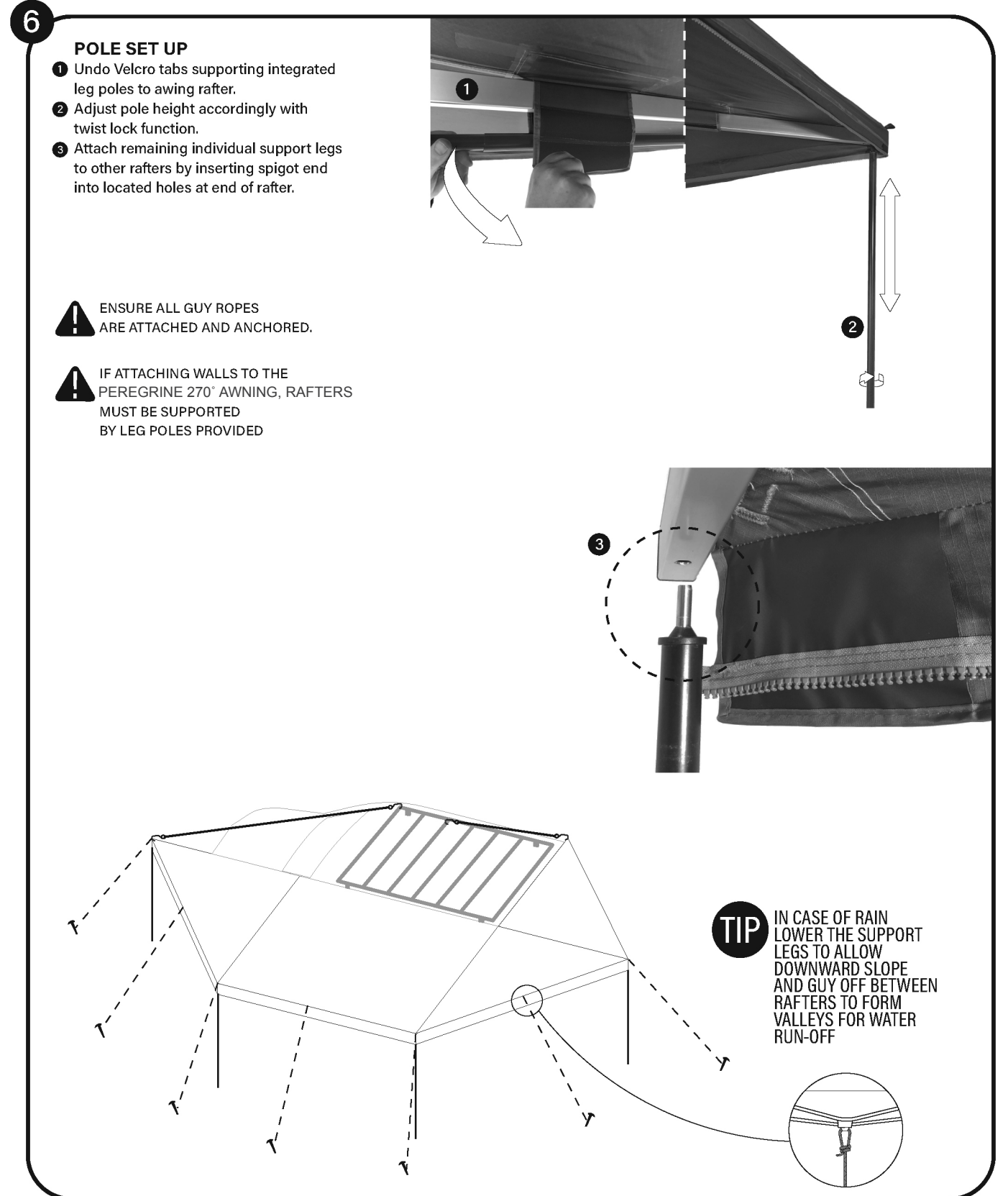
ATTACH CAM BUCKLE TENSION STRAPS TO ROOF-RACK

**PEREGRINE 270° SET-UP**

NOTE: Awning will free stand for set-up and pack down..

**6** **POLE SET UP**

- Undo Velcro tabs supporting integrated leg poles to awning rafter.
- Adjust pole height accordingly with twist lock function.
- Attach remaining individual support legs to other rafters by inserting spigot end into located holes at end of rafter.



ENSURE ALL GUY ROPES ARE ATTACHED AND ANCHORED.

IF ATTACHING WALLS TO THE PEREGRINE 270° AWNING, RAFTERS MUST BE SUPPORTED BY LEG POLES PROVIDED

**TIP** IN CASE OF RAIN LOWER THE SUPPORT LEGS TO ALLOW DOWNWARD SLOPE AND GUY OFF BETWEEN RAFTERS TO FORM VALLEYS FOR WATER RUN-OFF

**PACK DOWN**

**7**

**PACK DOWN**  
Remove pegs & guy ropes.  
Fold away legs and secure with Velcro rafter tabs - remaining legs can be stowed into pole bag.  
Release front and rear cam buckle tension straps attached to awning.

- 1 Fold right hand side rafters at 90° from awning body.
- 2 Fold left side rafters against awning body ensuring top rafters sit on top of bottom rafters.
- 3 Fold right side rafters against left side rafters ensuring top rafters sit on top of bottom rafters neatly.
- 4 Adjust hanging canvas so it drapes in a triangular shape  
Tightly roll canvas and secure with attached straps.
- 5 Fold over PVC transit cover and zip up - Run zip sliders towards the rear of the awning.

**FITTING OPTIONAL WALL KIT**

**8**

1 2 3

USING THE DIAGRAM BELOW, DETERMINE POSITION OF WALL A AND WALL B

- 1 LOCATE THE WALL A LABEL ON THE WALL A AND POSITION IN LINE WITH WALL A LABEL ON AWNING SKIRT.
- 2 JOINING ZIPS **NOTE:** ENSURE THE ZIP INSERT PIN IS FULLY ENGAGED / SEATED INTO THE ZIP RETAINING BOX. COMMENCE ZIPPING WHILST HOLDING THE WALL WITH YOUR OPPOSITE HAND AT ZIP TRACK LEVEL FORWARD OF ZIP SLIDE DIRECTION. ( THIS ACTION IS REQUIRED TO RELIEVE EXCESSIVE PRESSURE ON ZIP TRACK )  
**NOTE:** FAILURE TO HOLD WALL LEVEL WITH ZIP TRACK MAY RESULT IN ZIP DAMAGE WHICH IS NOT COVERED UNDER NORMAL WARRANTY.
- 3 ANCHOR THE WALLS TO THE GROUND USING THE PEGS SUPPLIED

REPEAT THE ABOVE STEPS WITH WALL B

**CARE AND SAFETY**

**CLEANING**

Clean with luke warm water and soft bristle brush.  
Do not use soaps and or detergents.  
Do not expose to petro chemicals.

**STORAGE**

Certain situations may require the Peregrine 270° to be packed down wet. It is essential that at the earliest opportunity the Peregrine awning is unpacked and allowed to dry fully. Though we use the best polyurethane proofing available, prolonged exposure to moisture causes hydrolysis which can affect the integrity of the proofing. Storing awning wet in warm conditions is likely to cause mildew growth which will stain canvas and lead to premature breakdown.

**STRUCTURAL**

1. The Peregrine 270° has been designed for general use under normal conditions.
2. Always ensure legs, guy ropes and pegs are attached and the awning is firmly anchored at all times regardless how good conditions may be.

**WATERPROOFNESS**

23 ZERO use a selection of refined raw materials and treatments in its design and development processes including long lasting polyurethane coatings and high frequency seam sealing.  
With multiple layer seams and addition of zips wind driven rain may cause small amounts of water ingress at times. Rubbing a softened candle wax stick over the affected area will help reduce any water ingress.



**TO AVOID PERSONAL INJURY AND OR PROPERTY DAMAGE 23ZERO RECOMMENDS THE PEREGRINE 270° SHOULD NOT BE ERECTED DURING WINDY AND OR ADVERSE WEATHER. DAMAGE CAUSED BY WEATHER OR IMPROPER USE IS NOT COVERED UNDER WARRANTY.**



**SAFETY WARNINGS**

KEEP ALL FLAME AND HEAT SOURCES AWAY FROM AWNING FABRIC.

UNDER NO CIRCUMSTANCES SHOULD ANY NAKED FLAME SOURCES BE USED NEAR THE AWNING.

KEEP CAMP FIRES AT LEAST **65 FEET** AWAY FROM AWNING.

WATCH FOR AIRBORNE BURNING EMBERS THAT MAY COME IN CONTACT WITH THE AWNING

KEEP A FIRE EXTINGUISHER OR WATER BUCKET NEARBY.

KEEP EXITS CLEAR

WATCH FOR GUY ROPES AND PEGS AS THEY CAN BE A TRIP HAZARD

ENSURE CHILDREN ARE SUPERVISED AROUND THE AWNING AT ALL TIMES.

**VEHICLE EXHAUST FUMES CAN BE DEADLY - DO NOT RUN VEHICLE ENGINE WHILST WALLS ARE ATTACHED TO THE AWNING.**